

# Sarix® IBV Series Bullet Cameras

## UP TO 5 MEGAPIXEL, H.264, H.265, MANUAL VARIFOCAL, IR BULLET

### Product Features

- Up to 5 megapixel (MPx) resolution
- Up to 30 images per second (ips) at maximum resolution (5 MPx models also support up to 1080p 60 fps)
- 30 m and 50 m IR range models
- Operating temperature up to 60°C (136°F)
- Up to 128 GB edge storage with Micro SD card
- Motion detection, Window Blanking, Region of Interest, and Corridor Mode
- IP66 ingress protection
- Compatible with Pelco and third-party video systems
- ONVIF Profile S and Profile G conformant
- Full 3-year warranty and support

### Sarix Value Range

Powerful, versatile, and affordable, the **Sarix® Value (V)** range cameras pack the most popular features into a wide range of indoor and outdoor options. Form factors include bullet, mini dome, dome, and box cameras. Mix and match the performance options and form factor you need for almost any lighting condition, environment, and application.

### Camera

Within the **Sarix Value** range, the **Sarix IBV Series** indoor and outdoor bullet cameras feature a manual zoom, manual focus lens for surveillance needs. The **Sarix IBV Series** features advanced color science, a mechanical IR cut filter, and advanced, integrated IR illumination (30 m and 50 m IR range models) for increased sensitivity in low-light installations.

### Video

**Sarix Value** range cameras support up to three simultaneous video streams. The three streams can be compressed with efficient H.264 High, Main, and Baseline profiles, H.265, or MJPEG formats. The streams can be configured to a variety of frame rates and bit rates to optimize image quality with bandwidth and storage efficiency.



### Edge Storage

**Sarix Value** range bullet cameras feature onboard edge storage with a micro SD card. Video clips of varying lengths can be stored to the card upon alarm, or video can be written continuously to the SD card in the case of network outage. Video can be retrieved from the card through the FTP protocol or by using an ONVIF Profile G enabled client.

**Sarix Value** range cameras feature simple motion detection algorithms allowing the camera to record or send an alarm when there is motion detected in a selected zone or with the entire scene.

**Sarix Value** range cameras support Window Blanking (four privacy areas), Region of Interest (for better IQ in this area), and Corridor Mode (image rotation).

### Open and Integrated

**Sarix Value** range cameras seamlessly connect to Pelco video management systems such as VideoXpert™ and Digital Sentry® version 7.3 (or later). **Sarix Value** range cameras integrate with major third-party systems through ONVIF Profile S and Profile G standards and GB/T-28181.

### Standard Web Interface

Pelco cameras use a standard Web browser interface for easy remote setup and administration.

# TECHNICAL SPECIFICATIONS

## CAMERA

Imaging Device

MPx	Sensor	Maximum Resolution
5 MPx	1/1.8-inch	2592 x 1944 (5.0 MPx)
2 MPx	1/2.8-inch	1920 x 1080 (2.0 MPx)
1 MPx	1/2.8-inch	1280 x 720 (1.0 MPx)

Lens Type

Fixed iris manual focus

White Balance Range

1,500° to 15,000°K

Electronic Shutter Range

1/3 ~ 1/100,000 sec

Noise Reduction

3D/2D

Wide Dynamic Range

80 dB (5 MPx models)

Signal to Noise Ratio

>50 dB

120 dB (1 MPx and 2 MPx models)

Minimum Illumination

MPx	Sensitivity	Color		Mono		Mono with IR
		33 ms	200 ms	33 ms	200 ms	
5 MPx	f/1.4	0.05 lux	0.007 lux	0.04 lux	0.005 lux	0.00 lux
2 MPx	f/1.4	0.03 lux	0.004 lux	0.02 lux	0.003 lux	0.00 lux
1 MPx	f/1.4	0.03 lux	0.004 lux	0.02 lux	0.003 lux	0.00 lux

IR Illumination

Up to 30 m or 50 m (depending on model number); auto ON in night mode

Mechanical IR Cut Filter

Yes, with different set points on lux

## LENS

Lens type

Built-in; fixed iris

Focal Length

f/1.4, 2.8 ~ 12 mm,

f/1.4, 3.6 ~ 10 mm, or

f/1.4, 7 ~ 22 mm

Focus

Manual

Field of View\*

Lens	Angle of View	Field of View
2.8 to 12 mm	Diagonal	122°~ 36°
	Horizontal	103°~ 32°
	Vertical	54°~ 18°
3.6 to 10 mm	Diagonal	117°~ 47°
	Horizontal	90°~ 37°
	Vertical	67°~ 27°
7 to 22 mm	Diagonal	50°~ 19°
	Horizontal	43°~ 16°
	Vertical	23°~ 9°

\*Field of view may vary with changes in resolution settings.

# TECHNICAL SPECIFICATIONS

## VIDEO

Video Streams  
Text Overlay

Up to three simultaneous streams; the second and third stream are variable based on the setup of the primary stream  
Camera name, time, date, and customizable text with English and Chinese languages supported

Available Resolutions

MPx	Width	Height	Aspect Ratio	Frame Rate (ips)	
				2 MPx Models	5 MPx Models
5.0	2592	1944	4:3	N/A	0-30
4.9	2560	1920	4:3	N/A	0-30
3.7	2560	1440	16:9	N/A	0-30
3.1	2048	1536	4:3	N/A	0-30
3.0	2304	1296	16:9	N/A	0-30
2.0	1920	1080	16:9	0-30	0-60
2.0	1600	1200	4:3	0-30	0-60
1.3	1280	960	4:3	0-30	0-60
1.0	1280	720	16:9	0-30	0-60
0.6	1024	576	16:9	0-30	0-60
0.5	800	600	4:3	0-30	0-60
0.4	704	576	16:9	0-30	0-60
0.3	640	480	4:3	0-30	0-60
0.2	640	360	16:9	0-30	0-60
0.7	960	720	4:3	0-30	0-60
0.1	320	240	4:3	0-30	0-60

Video Encoding  
Bit Rate Control  
Corridor Mode  
Window Blanking

H.264 High, Main, and Baseline profiles; H.265, and MJPEG  
Constant bit rate (CBR), variable bit rate (VBR)  
Electronic image flip and mirror: 90° and 270°  
4 configurable windows

## AUDIO

Streaming  
Input  
Encoding

Bi-directional  
Line in  
G.711 A-law/G.711 U-law/G.726

# TECHNICAL SPECIFICATIONS

## GENERAL

Construction	Body: aluminum alloy, RAL 9003, front window: glass
Ingress Protection	IP66
Unit Weight	
IBV121-1R	0.982 kg (2.16 lb)
IBV221-1R	0.982 kg (2.16 lb)
IBV221-1ER	1.022 kg (2.25 lb)
IBV521-1R	0.982 kg (2.16 lb)
IBV521-1ER	1.022 kg (2.25 lb)
IBV122-1R	0.982 kg (2.16 lb)
IBV222-1R	0.982 kg (2.16 lb)
IBV222-1ER	1.022 kg (2.25 lb)
Shipping Weight	
IBV121-1R	1.32 kg (2.91 lb)
IBV221-1R	1.32 kg (2.91 lb)
IBV221-1ER	1.36 kg (3.0 lb)
IBV521-1R	1.32 kg (2.91 lb)
IBV521-1ER	1.36 kg (3.0 lb)
IBV122-1R	1.32 kg (2.91 lb)
IBV222-1R	1.32 kg (2.91 lb)
IBV222-1ER	1.36 kg (3.0 lb)

## ELECTRICAL

Network Port	RJ-45 connector for 100Base-TX
Power Input	PoE (IEEE 802.3af, Class 3); 24 VAC± 10%, 12 VDC± 10% (Normal models); 24 VAC/12 VDC (Wide Temperature models) For installation purpose
BNC output	
Power Consumption	
IBV121-1R	3.36 W (IR on 6.6 W)
IBV221-1R	3.36 W (IR on 6.6 W)
IBV221-1ER	3.36 W (IR on 6.6 W, heating on 11.36 W, IR and heating on 14.6 W)
IBV521-1R	3.48 W (IR on 6.72 W)
IBV521-1ER	3.48 W (IR on 6.72 W, heating on 11.48 W, IR and heating on 14.72 W)
IBV122-1R	3.72 W (IR on 6.96 W)
IBV222-1R	3.72 W (IR on 6.96 W)
IBV222-1ER	3.72 W (IR on 6.96 W, heating on 11.72 W, IR/ heating on 14.96 W)
Local Storage	Up to 128 GB on Micro SD card
Alarm	
Input	1
Output	1 relay (<24 V, 1 A)
Triggers	Unsupervised mode that detects switch closures (N.O. and N.C.)

## ENVIRONMENTAL

Operating Temperature	
Wide Temperature	-40° to 60°C (-40° to 136°F)*
Normal	-20° to 60°C (-4° to 136°F)
Operating Humidity	10% to 90%, RH non-condensing

## NETWORK

Supported Protocols	ARP, IPv4, IPv6, TCP/IP, UDP, RTP, RTSP, RTCP, HTTP, HTTPS, DNS, DDNS, DHCP, FTP, NTP, PPPoE, SMTP, UPNP, IGMP, ONVIF, SNMP, ICMP, SSH, IEEE 802.1x, SSL
Users	
Unicast	1 administrator, up to 20 viewers
Multicast	Unlimited users H.264
Security Access	Multiple user access levels with password protection

## INTEGRATION

Video Management	VideoXpert; Digital Sentry 7.3 (or later); Third-party VMS through ONVIF Profile S and Profile G and GB/T 28181
Analytics	Simple motion detection
Local Storage	Capture 1-, 5-, or 10-second video clips, motion detection, or alarm input; record video continuously in the case of network outage with option to overwrite; access video through FTP protocol and ONVIF Profile G
Camera Discovery and Firmware	Discover cameras and upgrade firmware using the Pelco VX Toolbox
Web Browser Support	Microsoft® Internet Explorer® 8.0
Multilingual User Interface	English, Thai, Spanish, Turkish, Russia, Chinese

## CERTIFICATIONS\*

- CE
- FCC
- NOM
- EAC
- RoHS
- PSB
- BIS
- Meets NEMA Type 4X and IP66 Standards
- RCM
- UL/cUL Listed
- ICES-003
- ONVIF Profile S and Profile G conformant

\*At the time of this publication, certifications are pending. Consult the factory or [www.pelco.com](http://www.pelco.com) for the current status of certifications.

# TECHNICAL SPECIFICATIONS

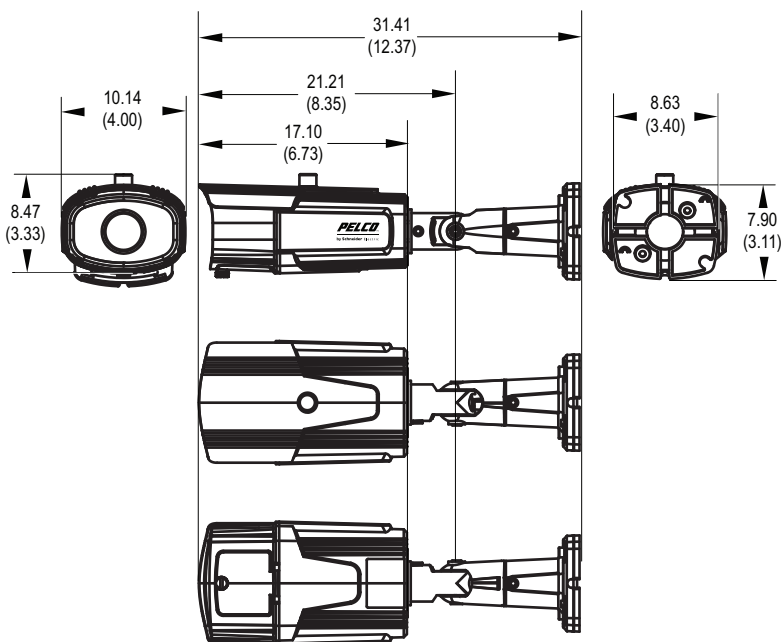
## MODELS

Resolution	Lens	Model Number	Description
1 MPx	7 to 22 mm	IBV122-1R	Sarix Value 1 MPx IR Bullet Camera
2 MPx	7 to 22 mm	IBV222-1R	Sarix Value 2 MPx IR Bullet Camera
2 MPx	7 to 22 mm	IBV222-1ER	Sarix Value 2 MPx IR Bullet Camera, Wide Temperature Range
1 MPx	2.8 to 12 mm	IBV121-1R	Sarix Value 1 MPx IR Mini Bullet Camera
2 MPx	2.8 to 12 mm	IBV221-1R	Sarix Value 2 MPx IR Mini Bullet Camera
2 MPx	2.8 to 12 mm	IBV221-1ER	Sarix Value 2 MPx IR Mini Bullet Camera, Wide Temperature Range
5 MPx	3.6 to 10 mm	IBV521-1R	Sarix Value 5 MPx IR Mini Bullet Camera
5 MPx	3.6 to 10 mm	IBV521-1ER	Sarix Value 5 MPx IR Mini Bullet Camera, Wide Temperature Range



VALUES IN PARENTHESES ARE INCHES; ALL OTHERS ARE CENTIMETERS

### SARIX VALUE IBV SERIES BULLET AND MINI BULLET CAMERAS



#### Pelco by Schneider Electric

625 W. Alluvial, Fresno, California 93711 United States

**USA & Canada** Tel (800) 289-9100 Fax (800) 289-9150

**International** Tel +1 (559) 292-1981 Fax +1 (559) 348-1120

[www.pelco.com](http://www.pelco.com) [www.pelco.com/community](http://www.pelco.com/community)

Pelco, the Pelco logo, and other trademarks associated with Pelco products referred to in this publication are trademarks of Pelco, Inc. or its affiliates. ONVIF and the ONVIF logo are trademarks of ONVIF Inc. All other product names and services are the property of their respective companies.

Product specifications and availability are subject to change without notice.

©Copyright 2018, Pelco, Inc. All rights reserved.