

# Sarix® IMV Series Dome Cameras

UP TO 5 MEGAPIXEL, H.264, H.265, IR, MANUAL VARIFOCAL, DAY/NIGHT IP DOMES

## Product Features

- Up to 5 megapixel (MPx) resolution
- Up to 30 images per second (ips) at maximum resolution (5 MPx models also support 1080p 60 fps)
- 30 meter IR range models available
- Motion detection, Window Blanking, Region of Interest, and Corridor Mode
- Operating temperature up to 60°C (136°F)
- Up to 128 GB storage with Micro SD card
- IP66 ingress protection and IK10 vandal resistant
- Compatible with Pelco and third-party video systems
- ONVIF Profile S and Profile G conformant
- Full 3-year warranty and support



## Sarix Value Range

Powerful, versatile, and affordable, the **Sarix® Value (V)** range cameras pack the most popular features into a wide range of indoor and outdoor options. Form factors include bullet, mini dome, dome, and box cameras. Mix and match the performance options and form factor you need for almost any lighting condition, environment, and application.

## Camera

Within the **Sarix Value** range, the **Sarix IMV Series** manual varifocal dome cameras feature an auto iris manual focus lens for surveillance needs. The **Sarix IMV Series** features advanced color science, a mechanical IR cut filter, and advanced, integrated IR illumination (30 m IR range on some models) for increased sensitivity in low-light installations.

## Video

**Sarix Value** range cameras support up to three simultaneous video streams. The three streams can be compressed with efficient H.264 High, Main, or Baseline profiles, H.265, or MJPEG formats. The streams can be configured to a variety of frame rates and bit rates to optimize image quality with bandwidth and storage efficiency.

## Edge Storage

**Sarix Value** range cameras feature simple motion detection algorithms allowing the camera to record or send an alarm when there is motion detected in a selected zone or with the entire scene. **Sarix Value** range cameras support Window Blanking (four privacy areas), Region of Interest (for better IQ in this area), and Corridor Mode (image rotation).

## Open and Integrated

**Sarix Value** range cameras seamlessly connect to Pelco video management systems such as VideoXpert™ and Digital Sentry® version 7.3 (or later). **Sarix Value** range cameras integrate with major third-party systems through ONVIF Profile S and Profile G standards and GB/T-28181.

## Standard Web Interface

Pelco cameras use a standard Web browser interface for easy remote setup and administration.

# TECHNICAL SPECIFICATIONS

## CAMERA

Imaging Device

MPx	Sensor	Maximum Resolution
5 MPx	1/1.8-inch	2592 x 1944 (5 MPx)
2 MPx	1/2.8-inch	1920 x 1080 (2 MPx)
1 MPx	1/2.8-inch	1280 x 720 (1 MPx)

Lens Type

Auto iris manual focus

Electronic Shutter Range

1/3 ~ 1/100,000 sec

Wide Dynamic Range

120 dB (2 MPx models)

80 dB (5 MPx models)

White Balance Range

1,500° to 15,000°K

Noise Reduction

2D and 3D

Minimum Illumination

MPx	Sensitivity	Color		Mono		Mono (IR on)
		33 ms	200 ms	33 ms	200 ms	
1 MPx	f/1.4	0.03 lux	0.004 lux	0.02 lux	0.003 lux	0.00 lux
2 MPx	f/1.4	0.03 lux	0.004 lux	0.02 lux	0.003 lux	0.00 lux
5 MPx	f/1.4	0.05 lux	0.007 lux	0.04 lux	0.005 lux	0.00 lux

Mechanical IR Cut Filter

Yes (AUTO) with different set points on lux

IR Illumination

Up to 30 m (IMV121-1RS, IMV221-1RS, IMV221-1ERS, IMV521-1RS, and IMV521-1ERS), auto ON in night mode;

No IR illumination on some models (IMV121-1S, IMV221-1S, IMV221-1ES, IMV521-1S, IMV521-1ES)

Signal to Noise Ratio

≥50 dB

## LENS

Lens Type

Auto iris

Focal Length

f/1.4, 3.6 to 10 mm, f/1.4, 2.8 to 12 mm

Focus

Manual focus

Field of View\*

Lens	Angle of View	Field of View
2.8 to 12 mm	Diagonal	122° to 36°
	Horizontal	103° to 32°
	Vertical	54° to 18°
3.6 to 10 mm	Diagonal	117° to 47°
	Horizontal	90° to 37°
	Vertical	67° to 27°

\*Field of view may vary with changes in resolution settings.

# TECHNICAL SPECIFICATIONS

## VIDEO

Video Streams  
Video Overlay

Up to three simultaneous streams; the second and third stream are variable based on the setup of the primary stream  
Camera name, time, date, and customizable text with English and Chinese languages

Available Resolutions

MPx	Width	Height	Aspect Ratio	Frame Rate (ips)	
				2 MPx Models	5 MPx Models
5.0	2592	1944	4:3	N/A	0–30
4.9	2560	1920	4:3	N/A	0–30
3.7	2560	1440	16:9	N/A	0–30
3.1	2048	1536	4:3	N/A	0–30
3	2304	1296	16:9	N/A	0–30
2.0	1920	1080	16:9	0–30	0–60
2.0	1600	1200	4:3	0–30	0–60
1.3	1280	960	4:3	0–30	0–60
1.0	1280	720	16:9	0–30	0–60
0.6	1024	576	16:9	0–30	0–60
0.5	800	600	4:3	0–30	0–60
0.4	704	576	16:9	0–30	0–60
0.3	640	480	4:3	0–30	0–60
0.2	640	360	16:9	0–30	0–60
0.7	960	720	4:3	0–30	0–60
0.1	320	240	4:3	0–30	0–60

**Note:** Available frame rates are selectable for each independent stream depending on the coding, resolution, and stream configuration.

Video Encoding

H.264 High, Main, or Baseline profiles; H.265, and MJPEG

Bit Rate Control

Constant bit rate (CBR), variable bit rate (VBR)

Corridor Mode

Electronic image flip and mirror: 90° and 270°

Window Blanking

4 configurable windows

## AUDIO

Streaming

Bi-directional

Input

Line in and out, built-in microphone

Encoding

G.711 A-law/G.711 U-law/G.726

# TECHNICAL SPECIFICATIONS

## ELECTRICAL

Network Port	RJ-45 connector for 100Base-TX
Power Input	PoE Class 3, 24 VAC nominal, 12 VDC (Normal models); 24 VAC/12 VDC (Wide temperature models including IMV221-1ES, IMV521-1ES, IMV221-1ERS, IMV521-1ERS)
Power Consumption	
IMV121-1S	3.36 W
IMV221-1S	3.36 W
IMV221-1ES	3.36 W (heater/fan on 11.36 W)
IMV521-1S	3.48 W
IMV521-1ES	3.36 W (heater/fan on 11.36 W)
IMV121-1RS	3.36 W (IR on 8.52 W)
IMV221-1RS	3.36 W (IR on 8.52 W)
IMV221-1ERS	3.36 W (IR on 8.52 W, heater/fan on 11.36, IR/heater/fan on 16.52 W)
IMV521-1RS	3.48 W (IR on 8.64 W)
IMV521-1ERS	3.48 W (IR on 8.64 W, heater/fan on 11.48, IR/heater/fan on 16.64 W)
Local Storage	Up to 128 GB on Micro SD card
Alarm	
Input	1
Output	1 relay (24 V, 1 A)
Triggers	Unsupervised mode
BNC Output	Yes, used for installation

## ENVIRONMENTAL

Operating Temperature	
Wide Temperature Models	-40° to 60°C (-40° to 136°F) (IMV221-1ES, IMV521-1ES, IMV221-1ERS, IMV521-1ERS)
Normal Models	-20° to 60°C (-4° to 136°F)
Operating Humidity	10% to 90%, RH noncondensing

## GENERAL

Construction	Body: aluminum alloy; bubble: tempered glass
Finish	RAL 9003
Unit Weight.	
IMV121-1S	0.77 kg (1.70 lb)
IMV221-1S	0.77 kg (1.70 lb)
IMV221-1ES	0.82 kg (1.80 lb)
IMV521-1S	0.77 kg (1.70 lb)
IMV521-1ES	0.82 kg (1.80 lb)
IMV121-1RS	0.77 kg (1.70 lb)
IMV221-1RS	0.77 kg (1.70 lb)
IMV221-1ERS	0.82 kg (1.80 lb)
IMV521-1RS	0.77 kg (1.70 lb)
IMV521-1ERS	0.82 kg (1.80 lb)
Shipping Weight	
IMV121-1S	0.975 kg (2.15 lb)
IMV221-1S	0.975 kg (2.15 lb)
IMV221-1ES	1.025 kg (2.26 lb)
IMV521-1S	0.975 kg (2.15 lb)
IMV521-1ES	1.025 kg (2.26 lb)
IMV121-1RS	0.975 kg (2.15 lb)
IMV221-1RS	0.975 kg (2.15 lb)
IMV221-1ERS	1.025 kg (2.26 lb)
IMV521-1RS	0.975 kg (2.15 lb)
IMV521-1ERS	1.025 kg (2.26 lb)

## NETWORK

Supported Protocols	ARP, IPv4, IPv6, TCP/IP, UDP, RTP, RTSP, RTCP, HTTP, HTTPS, DNS, DDNS, DHCP, FTP, NTP, PPPOE, SMTP, UPNP, IGMP, ONVIF, SNMP, ICMP, SSH, IEEE 802.1x, SSL
Users	
Unicast	1 administrator, up to 20 viewers
Multicast	Unlimited users H.264
Security Access	Multiple user access levels with password protection

## INTEGRATION

Video Management	VideoXpert; Digital Sentry 7.3 (or later); Third-party VMS through ONVIF Profile S and Profile G and GB/T 28181
Analytics	Simple motion detection
Local Storage	Capture 1-, 5- or 10-second video clips on camera sabotage, motion detection, or alarm input; record video continuously in the case of network outage with option to overwrite; access video through FTP protocol and ONVIF Profile G
Camera Discovery and Firmware	Discover cameras upgrade firmware upgrade using the Pelco VX Toolbox
Web Browser Support	Microsoft® Internet Explorer® 8
Multilingual User Interface	English, Thai, Spanish, Turkish, Russia, Chinese

# TECHNICAL SPECIFICATIONS

## SYSTEM MODEL NUMBERS\*


Back Box	Resolution	Lens	Model Number	Description
Surface	1 MPx	2.8 to 12 mm	IMV121-1S	Sarix Value 1 MPx Dome Camera
	2 MPx	2.8 to 12 mm	IMV221-1S	Sarix Value 2 MPx Dome Camera
	2 MPx	2.8 to 12 mm	IMV221-1ES	Sarix Value 2 MPx Dome Camera, Wide Temperature Range
	5 MPx	3.6 to 10 mm	IMV521-1S	Sarix Value 5 MPx Dome Camera
	5 MPx	3.6 to 10 mm	IMV521-1ES	Sarix Value 5 MPx Dome Camera, Wide Temperature Range
	1 MPx	2.8 to 12 mm	IMV121-1RS	Sarix Value 1 MPx IR Dome Camera
	2 MPx	2.8 to 12 mm	IMV221-1RS	Sarix Value 2 MPx IR Dome Camera
	2 MPx	2.8 to 12 mm	IMV221-1ERS	Sarix Value 2 MPx IR Dome Camera, Wide Temperature Range
	5 MPx	3.6 to 10 mm	IMV521-1RS	Sarix Value 5 MPx IR Dome Camera
	5 MPx	3.6 to 10 mm	IMV521-1ERS	Sarix Value 5 MPx IR Dome Camera, Wide Temperature Range

\*System options contain a back box/mount, camera, and clear dome.

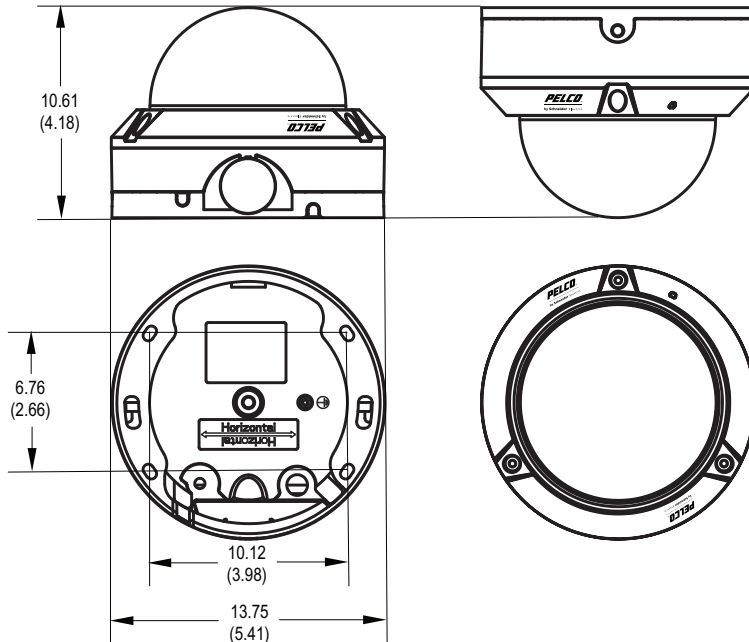
## CERTIFICATIONS\*

- CE
- FCC
- NOM
- EAC
- RoHS
- PSB
- BIS
- Meets NEMA Type 4X and IP66 Standards
- RCM
- UL/cUL Listed
- ICES-003
- ONVIF Profile S and Profile G conformant

\*At the time of this publication, certifications are pending. Consult the factory or [www.pelco.com](http://www.pelco.com) for the current status of certifications.

 VALUES IN PARENTHESES ARE INCHES; ALL OTHERS ARE CENTIMETERS

### SARIX VALUE IMV SERIES MANUAL VARIFOCAL DOME CAMERAS



#### Pelco by Schneider Electric

625 W. Alluvial, Fresno, California 93711 United States  
**USA & Canada** Tel (800) 289-9100 Fax (800) 289-9150  
**International** Tel +1 (559) 292-1981 Fax +1 (559) 348-1120  
[www.pelco.com](http://www.pelco.com) [www.pelco.com/community](http://www.pelco.com/community)

Pelco, the Pelco logo, and other trademarks associated with Pelco products referred to in this publication are trademarks of Pelco, Inc. or its affiliates. ONVIF and the ONVIF logo are trademarks of ONVIF Inc. All other product names and services are the property of their respective companies. Product specifications and availability are subject to change without notice. ©Copyright 2018, Pelco, Inc. All rights reserved.