

Sarix® IJV Series Fixed Lens Mini Domes

UP TO 2 MEGAPIXEL, H.264, H.265, IR, DAY/NIGHT IP DOMES

Product Features

- Up to 2 megapixel (MPx) resolution
- Up to 30 images per second (ips) at maximum resolution
- 30 meter IR range models
- Motion detection, Window Blanking, Region of Interest, and Corridor Mode
- Operating temperature up to 55°C (131°F)
- Up to 128 GB storage with Micro SD card
- IK10 vandal resistant
- Compatible with Pelco and third-party video systems
- ONVIF Profile S and Profile G conformant
- Full 3-year warranty and support



Sarix Value Range

Powerful, versatile, and affordable, the **Sarix® Value (V)** range cameras pack the most popular features into a wide range of indoor and outdoor options. Form factors include bullet, mini dome, dome, and box cameras. Mix and match the performance options and form factor you need for almost any lighting condition, environment, and application.

Camera

Within the **Sarix Value** range, the **Sarix IJV Series** mini dome cameras feature a fixed focus lens for surveillance needs. The **Sarix IJV Series** features advanced color science, a mechanical IR cut filter, and advanced, integrated IR illumination (30 m IR range models) for increased sensitivity in low-light installations.

Video

Sarix Value range cameras support up to three simultaneous video streams. The three streams can be compressed with efficient H.264 High, Main, or Baseline profiles, H.265, or MJPEG formats. The streams can be configured to a variety of frame rates and bit rates to optimize image quality with bandwidth and storage efficiency.

Edge Storage

Sarix Value range bullet cameras feature onboard edge storage with a micro SD card. Video clips of varying lengths can be stored to the card upon alarm, or video can be written continuously to the SD card in the case of network outage. Video can be retrieved from the card through the FTP protocol or by using an ONVIF Profile G enabled client.

Sarix Value range cameras feature simple motion detection algorithms allowing the camera to record or send an alarm when there is motion detected in a selected zone or with the entire scene. **Sarix Value** range cameras support Window Blanking (four privacy areas), Region of Interest (for better IQ in this area), and Corridor Mode (image rotation).

Open and Integrated

Sarix Value range cameras seamlessly connect to Pelco video management systems such as VideoXpert™ and Digital Sentry® version 7.3 (or later). **Sarix Value** range cameras integrate with major third-party systems through ONVIF Profile S and Profile G standards and GB/T-28181.

Standard Web Interface

Pelco cameras use a standard Web browser interface for easy remote setup and administration.

TECHNICAL SPECIFICATIONS

CAMERA

Imaging Device

MPx	Sensor	Maximum Resolution
2 MPx	1/2.8-inch	1920 x 1080 (2 MPx)
1 MPx	1/2.8-inch	1280 x 720 (1 MPx)

Lens Type

Fixed

Electronic Shutter Range

1/3 ~ 1/100,000 sec

Wide Dynamic Range

120 dB

White Balance Range

1,500° to 15,000°K

2D and 3D Noise Reduction

Yes

Minimum Illumination

MPx	Sensitivity	Color		Mono		Mono (IR on)
		33 ms	200 ms	33 ms	200 ms	
2 MPx	f/2.0	.06 lux	.007 lux	.04 lux	.004 lux	0.00 lux
1 MPx	f/1.8	.05 lux	.006 lux	.03 lux	.00375 lux	0.00 lux

Mechanical IR Cut Filter

Yes, with different set points on lux

IR Illumination

Up to 30 m (IJV122-1RS, IJV222-1RS, IJV226-1RS, IJV223-1RS, and IJV22-1RS); auto ON in night mode

Signal to Noise Ratio

≥50 dB

LENS

Lens Type

Built-in; fixed

Focal Length

f/1.2, 2.8 mm, 3.6 mm, 6 mm, or 8 mm

Field of View*

Lens	Angle of View	Field of View
2.8 mm	Diagonal	129°
	Horizontal	111°
	Vertical	62°
3.6 mm	Diagonal	106°
	Horizontal	91°
	Vertical	49°
6 mm	Diagonal	63°
	Horizontal	54°
	Vertical	30°
8 mm	Diagonal	47°
	Horizontal	41°
	Vertical	24°

*Field of view may vary with changes in resolution settings.

TECHNICAL SPECIFICATIONS

VIDEO

Video Streams
Video Overlay

Up to three simultaneous streams; the second and third stream are variable based on the setup of the primary stream
Camera name, time, date, and customizable text with English and Chinese languages

Available Resolutions

MPx	Width	Height	Aspect Ratio	Frame Rate (ips)
2.0	1920	1080	16:9	0-30
2.0	1600	1200	4:3	0-30
1.3	1280	960	4:3	0-30
1.0	1280	720	16:9	0-30
0.6	1024	576	16:9	0-30
0.5	800	600	4:3	0-30
0.4	704	576	16:9	0-30
0.3	640	480	4:3	0-30
0.2	640	360	16:9	0-30
0.7	960	720	4:3	0-30
0.1	320	240	4:3	0-30

Note: Available frame rates are selectable for each independent stream depending on the coding, resolution, and stream configuration.

Video Encoding

H.264 High, Main, or Baseline profiles; H.265, and MJPEG

Bit Rate Control

Constant bit rate (CBR), variable bit rate (VBR)

Corridor Mode

Electronic image flip and mirror: 90° and 270°

Window Blanking

4 configurable windows

AUDIO

Streaming

Bi-directional

Input

Line in and out, built-in microphone

Encoding

G.711 A-law/G.711 U-law/G.726

TECHNICAL SPECIFICATIONS

ELECTRICAL

Network Port	RJ-45 connector for 100Base-TX
Power Input	PoE Class 3, 24 VAC nominal, 12 VDC
Power Consumption	
IJV122-1S	3.36 W
IJV222-1S	3.36 W
IJV122-1RS, IJV222-1RS	1.92 W (IR on 7.08 W)
IJV223-1RS	1.92 W (IR on 7.08 W)
IJV226-1RS, IJV228-1RS	1.92 W (IR on 7.08 W)
Local Storage	Up to 128 GB on Micro SD card
Alarm	
Input	1
Output	1 relay (24 V, 1 A)
Triggers	Unsupervised mode
BNC Output	Yes, used for installation

ENVIRONMENTAL

Operating Temperature	-20° to 55°C (-4° to 131°F)
Operating Humidity	10% to 90%, RH noncondensing

GENERAL

Construction	Body: aluminum alloy; bubble: tempered glass
Finish	RAL 9003
Unit Weight.	
IJV122-1S	0.49 kg (1.08 lb)
IJV222-1S	0.49 kg (1.08 lb)
IJV122-1RS	0.493 kg (1.087 lb)
IJV222-1RS	0.493 kg (1.087 lb)
IJV223-1RS	0.493 kg (1.087 lb)
IJV226-1RS	0.493 kg (1.087 lb)
IJV228-1RS	0.493 kg (1.087 lb)
Shipping Weight	
IJV122-1S	0.639 kg (1.41 lb)
IJV222-1S	0.639 kg (1.41 lb)
IJV122-1RS	0.642 kg (1.415 lb)
IJV222-1RS	0.642 kg (1.415 lb)
IJV223-1RS	0.642 kg (1.415 lb)
IJV226-1RS	0.642 kg (1.415 lb)
IJV228-1RS	0.642 kg (1.415 lb)

NETWORK

Supported Protocols	ARP, IPv4, IPv6, TCP/IP, UDP, RTP, RTSP, RTCP, HTTP, HTTPS, DNS, DDNS, DHCP, FTP, NTP, PPPOE, SMTP, UPNP, IGMP, ONVIF, SNMP, ICMP, SSH, IEEE 802.1x, SSL
Users	
Unicast	1 administrator, up to 20 viewers
Multicast	Unlimited users H.264
Security Access	Multiple user access levels with password protection

INTEGRATION

Video Management	VideoXpert; Digital Sentry 7.3 (or later); Third-party VMS through ONVIF Profile S and Profile G and GB/T 28181
Analytics	Simple motion detection
Local Storage	Capture 1-, 5- or 10-second video clips on camera sabotage, motion detection, or alarm input; record video continuously in the case of network outage with option to overwrite; access video through FTP protocol and ONVIF Profile G
Camera Discovery and Firmware	Discover cameras upgrade firmware upgrade using the Pelco VX Toolbox
Web Browser Support	Microsoft® Internet Explorer® 8.0 or later
Multilingual User Interface	English, Thai, Spanish, Turkish, Russia, Chinese

CERTIFICATIONS*

- CE
- FCC
- NOM
- EAC
- RoHS
- PSB
- BIS
- RCM
- UL/cUL Listed
- ICES-003
- ONVIF Profile S and Profile G conformant

*At the time of this publication, certifications are pending. Consult the factory or www.pelco.com for the current status of certifications.

TECHNICAL SPECIFICATIONS

SYSTEM MODEL NUMBERS*

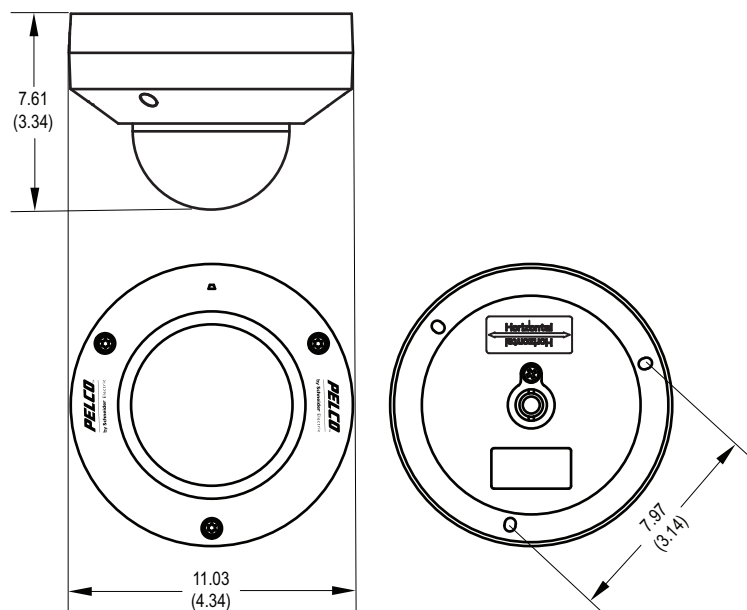
Back Box	Resolution	Lens	Model Number	Description
Surface	1 MPx	2.8 mm	IJV122-1S	Sarix Value 1 MPx Mini Dome Camera
	2 MPx	2.8 mm	IJV222-1S	Sarix Value 2 MPx Mini Dome Camera
	1 MPx	2.8 mm	IJV122-1RS	Sarix Value 1 MPx IR Mini Dome Camera
	2 MPx	2.8 mm	IJV222-1RS	Sarix Value 2 MPx IR Mini Dome Camera
	2 MPx	3.6 mm	IJV223-1RS	Sarix Value 2 MPx IR Mini Dome Camera
	2 MPx	6.0 mm	IJV226-1RS	Sarix Value 2 MPx IR Mini Dome Camera
	2 MPx	8.0 mm	IJV228-1RS	Sarix Value 2 MPx IR Mini Dome Camera

*System options contain a back box/mount, camera, and clear dome.



VALUES IN PARENTHESES ARE INCHES; ALL OTHERS ARE CENTIMETERS

SARIX VALUE IJV SERIES MINI DOME CAMERAS



Pelco by Schneider Electric

625 W. Alluvial, Fresno, California 93711 United States

USA & Canada Tel (800) 289-9100 Fax (800) 289-9150

International Tel +1 (559) 292-1981 Fax +1 (559) 348-1120

www.pelco.com www.pelco.com/community

Pelco, the Pelco logo, and other trademarks associated with Pelco products referred to in this publication are trademarks of Pelco, Inc. or its affiliates. ONVIF and the ONVIF logo are trademarks of ONVIF Inc. All other product names and services are the property of their respective companies.

Product specifications and availability are subject to change without notice.

©Copyright 2018, Pelco, Inc. All rights reserved.